



ESDOR AUTOMATIC DOOR SYSTEMS EHS HERMETICALLY SEALED SLIDING DOORS



*SINGLE OR DOUBLE DOORS,
MANUAL AND/OR AUTOMATIC OPERATED*

Esdor hermetically sealed sliding doors are developed for the rooms which require impermeability such as:

- laboratories,
- factories and clean rooms which produce high technologic and pharmaceutic products
- places where noise isolation is required.

Esdor, computer controlled intelligent door, offers safety and conveniences in hermetic doors.

The very highest quality, reliability and long life are the general characteristics of Esdor EHS door. It offers quality for years with its hard-wearing components.



The Esdor® EHS series and the door unit meet international quality and safety requirements (CE Standards, ISO 9001).

Developed for the Requirements of Future: ESDOR EHS HERMETICALLY SEALED SLIDING DOORS

KEY INFORMATION

Application:	Single and double, manual or automatic
Supply voltage:	230 V - AC
Free Opening:	max. 2400 x 2500 mm
Door Weight:	max. 175 kg
Thickness:	50 mm

Door Filling/Coating Options:

- HPL
- MDFlam
- Glass
- Stainless steel
- Lead inlay for x-ray doors

Optional Functions and Accessories:

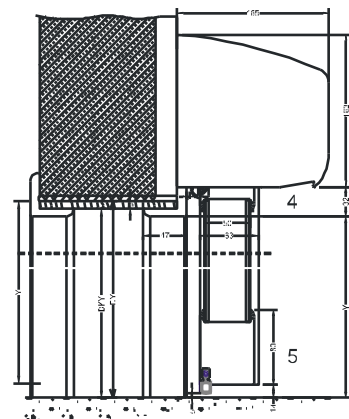
- Mechanical or electromechanical lock
- Accu unit
- Door activation devices like hand sensors, card/password readers, motion sensors, etc.
- Quadrangler or round windows
- Wall coating with the same material of the door

* Aluminium profiles of door leaf are anodised. Rounded shapes provides dust- and bacteria-free environment.

* Hermetically closing is obtained by antibacterial silicon seals and the door leaf settles tightly on both fixed sides and ground.

* Contour wheels are designed to prevent the leaf from derailing in case of a crash. All the rollers can be changed if required.

* The side walls of the door space can be covered by the same material used in panel with special profiles and nonvisible screws.



Single Leaf		Double Leaves	
W (mm)	H (mm)	W (mm)	H (mm)
.....-1000	2150-2500		
1001-1200	2150-2500		
1201-1400	2150-2500	1201-1400	2150-2500
1401-1600	2150-2500	1401-1600	2150-2500
1601-1800	2150-2500	1601-1800	2150-2500
1801-2000	2150-2500	1801-2000	2150-2500
2001-2200	2150-2500	2001-2200	2150-2500
2201-2400	2150-2500	2201-2400	2150-2500



The Esdor® EHS series and the door unit meet international quality and safety requirements (CE Standards, ISO 9001).

